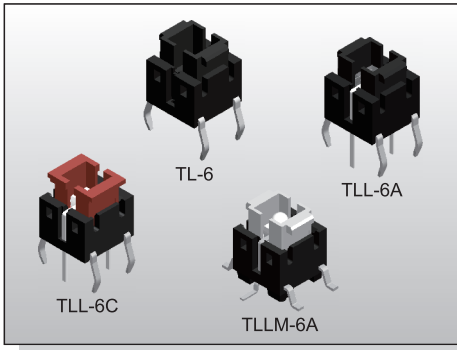


ILLUMINATED SWITCH TLL(M)-6 SERIES

Tact Switch Illuminated



FEATURES

- ※ Super bright LED
- ※ Various LED colors
- ※ Options of different cap color

APPLICATION

- ※ Server
- ※ Laptop, IPC
- ※ Set-top box

SPECIFICATION

Contact Rating	50mA, 12V DC	
Contact Resistance	100mΩ max.	
Insulation Resistance	100MΩ min. 500V DC	
Dielectric Strength	250V AC/1 minute	
Operating Force	100±50gf	TL(L)-61
	160±50gf	TL(L)-62
	260±50gf	TL(L)-63
	520±130gf	TL(L)-65
Travel	0.2mm	
Operating Life	200,000 cycles for 520/260gf	
	500,000 cycles for 160/100gf	
Operating Temp.	-25°C ~ +70°C	
Storage Temp.	-30°C ~ +80°C	

HOW TO ORDER

T L **- 6**

= Without LED
 = With LED

= Through Hole
 = S.M.T.
 (Only For LED Type A,B)

Operating Force:
 1=100gf, Black 2=160gf, Brown
 3=260gf, White 5=520gf, Salmon

LED Pitch=5.0mm & Body H:7.0mm
 LED Pitch=5.8mm & Body H:7.2mm
 LED Pitch=5.0mm & Body H:7.2mm

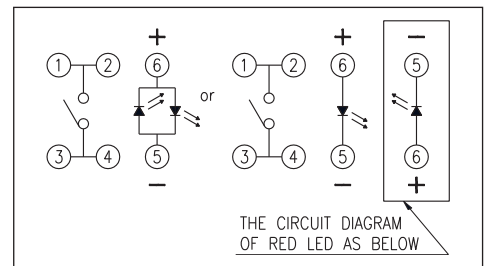
A **B** **C** **D** **E** **F**

Package:
 B=Tube(Only For Through Hole)
 T/R=Tape & Reel
 (Only For S.M.T.)

V=RoHS & Lead Free Solderable
 Q=Halogen Free
 (Only for Through Hole)

LED Color:
 = Without LED
 Refer Color Options

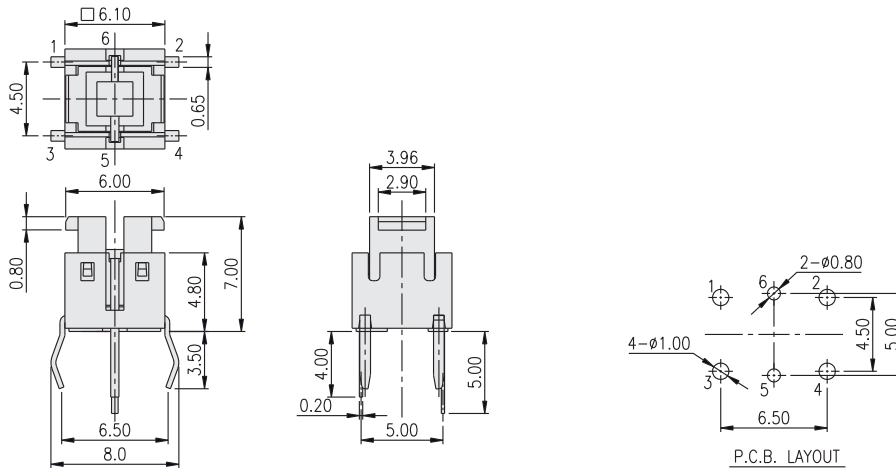
CIRCUIT



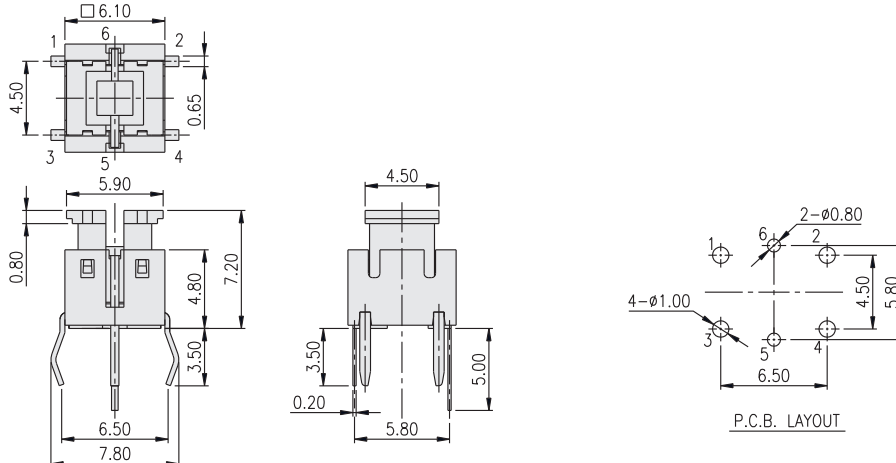
PACKAGE

- <Tube>
75 pcs.
- <Tape & Reel>
450 pcs. (Only for TLLM-6)

TLL-6 A



TLL-6 C



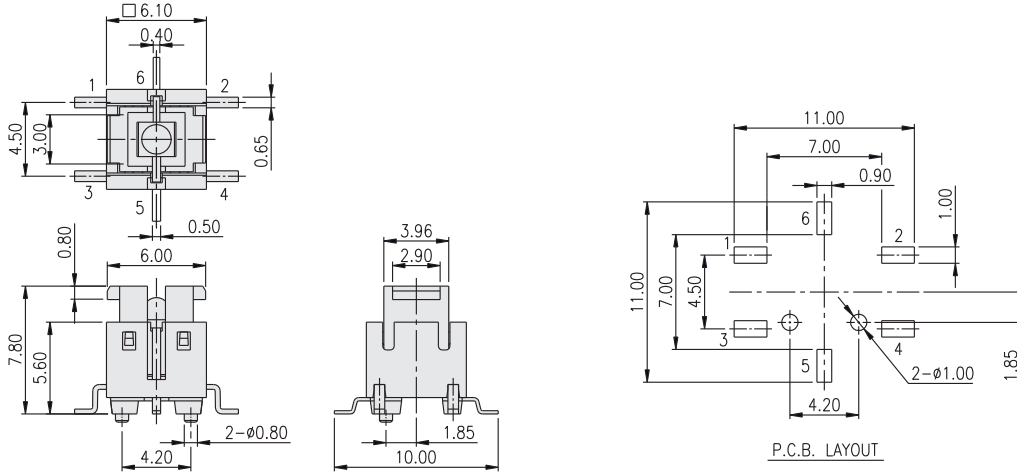
ILLUMINATED SWITCH
TLL(M)-6 SERIES

Tact Switch
Illuminated



ILLUMINATED SWITCH

TLLM-6□B



LED Color Options:

Part No.	Color	Dominant Wavelength λ_p Typ.(nm)	Luminous Intensity I_v (mcd)		Forward Voltage V_f (V)		View Angle $2-\theta_{1/2}$ (Degree)	
			Typ.		Typ.	Max.	A, C, E	B, D, F
			A, C, E	B, D, F				
B	Blue	470	70	1100	3.0	3.6	140°	30°
PG	Pure Green	520	160	2500	3.2	3.6		
G	Yellow Green	570	30	550	2.0	2.3		
Y	Yellow	590	60	1500	2.0	2.3		
A	Soft Orange	605	50	1500	2.0	2.3		
O	Red Orange	620	80	3000	2.0	2.3		
R	Red	630	60	1000	2.0	2.3		
W	Cold White	X:0.26 / Y:0.23	350	550	3.0	3.6		